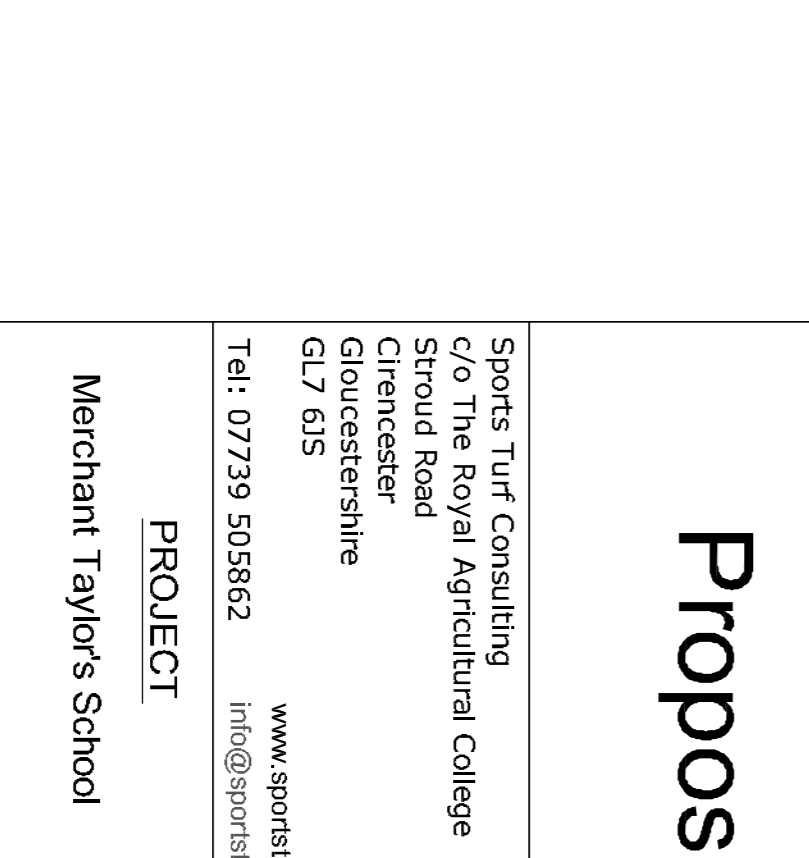
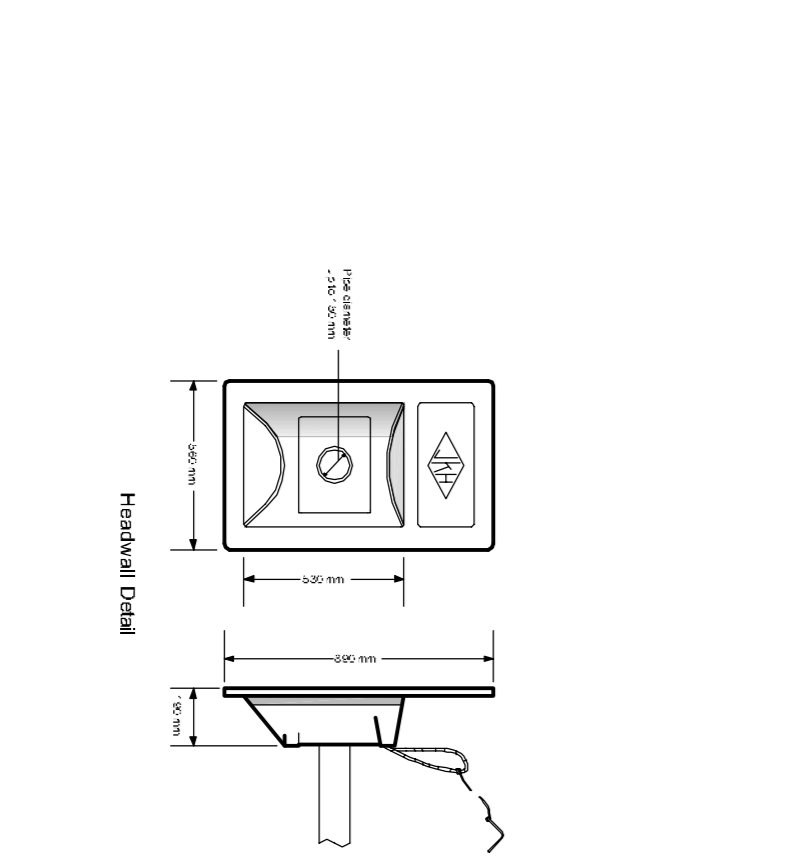
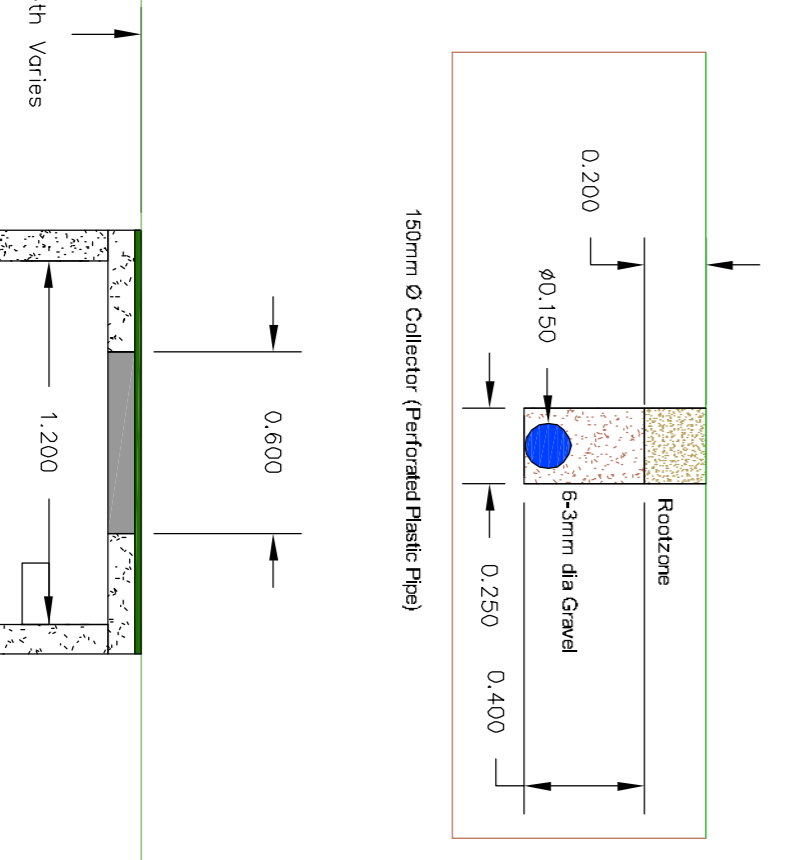
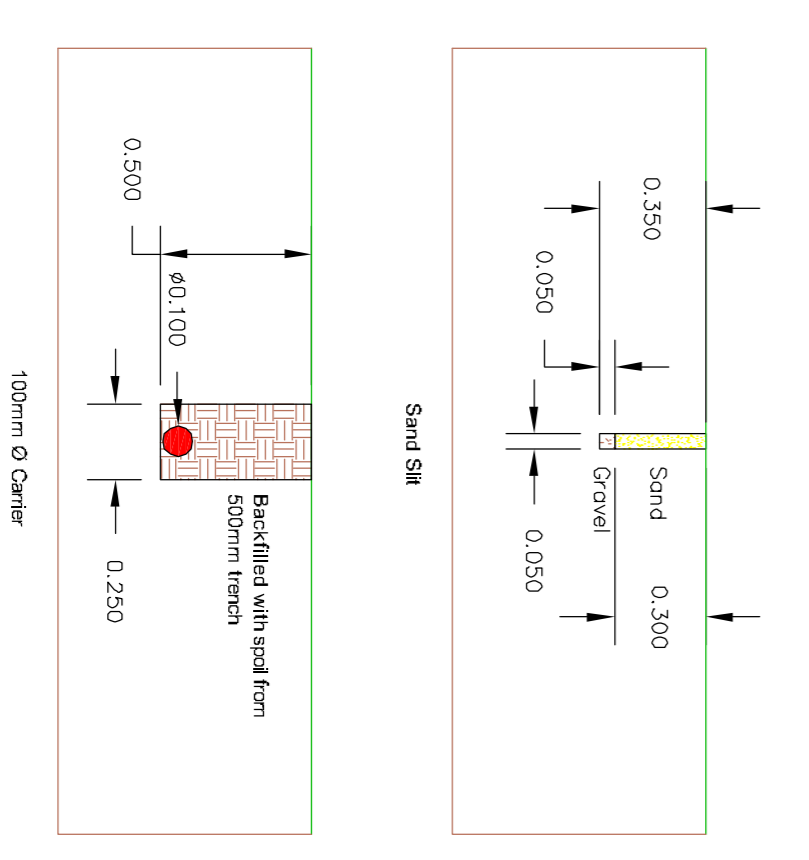
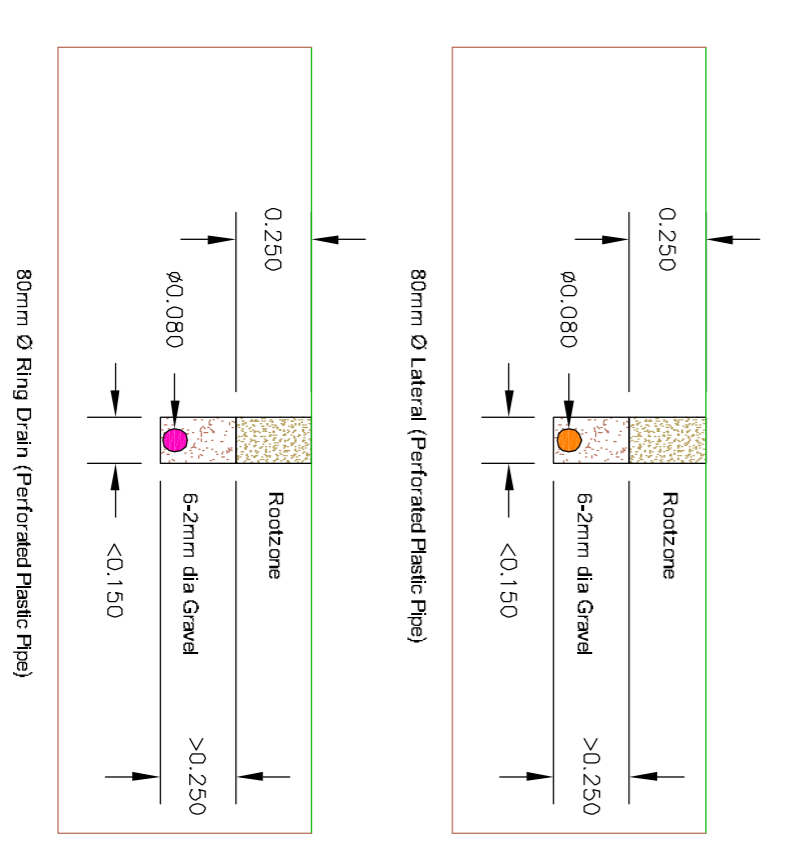


NOTES:-
1)

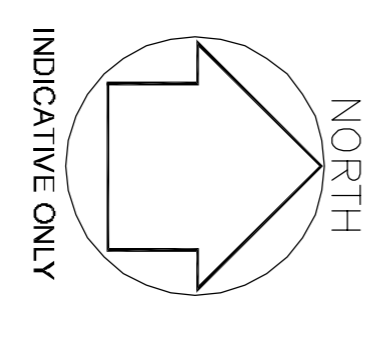
Revisions	
No	Description
1	

- LEGEND:-**
- Proposed Levels
 - Major Contours - 2m Intervals
 - Minor Contours - 50cm Intervals
 - Area of Fill
 - Area of Cut
 - 80mm Ø Laterals
 - 80mm Ø Ring Drain
 - 100mm Ø Carrier
 - 150mm Ø Collector
 - 63mm Ø Irrigation Pipe
 - 90mm Ø Irrigation Pipe
 - Stand Pipe
 - Indicative Sand Grooves
 - Indicative Sandsills @ 1m Intervals
 - Headwall
 - Inspection Chamber



Scale 1:25 @A1

Drawing Status
Proposal



Sports Turf Consulting
c/o The Royal Agricultural College
Stroud Road
Cirencester
Gloucestershire
GL7 6J5
www.sportsturfconsulting.co.uk
info@sportsturfconsulting.co.uk
Tel: 07739 505862

PROJECT
Merchant Taylor's School
CLIENT
Sports Turf Consulting

Proposed Drainage
DRAWING No. 0409.7-2
Date copyright © TANS Ltd 2008